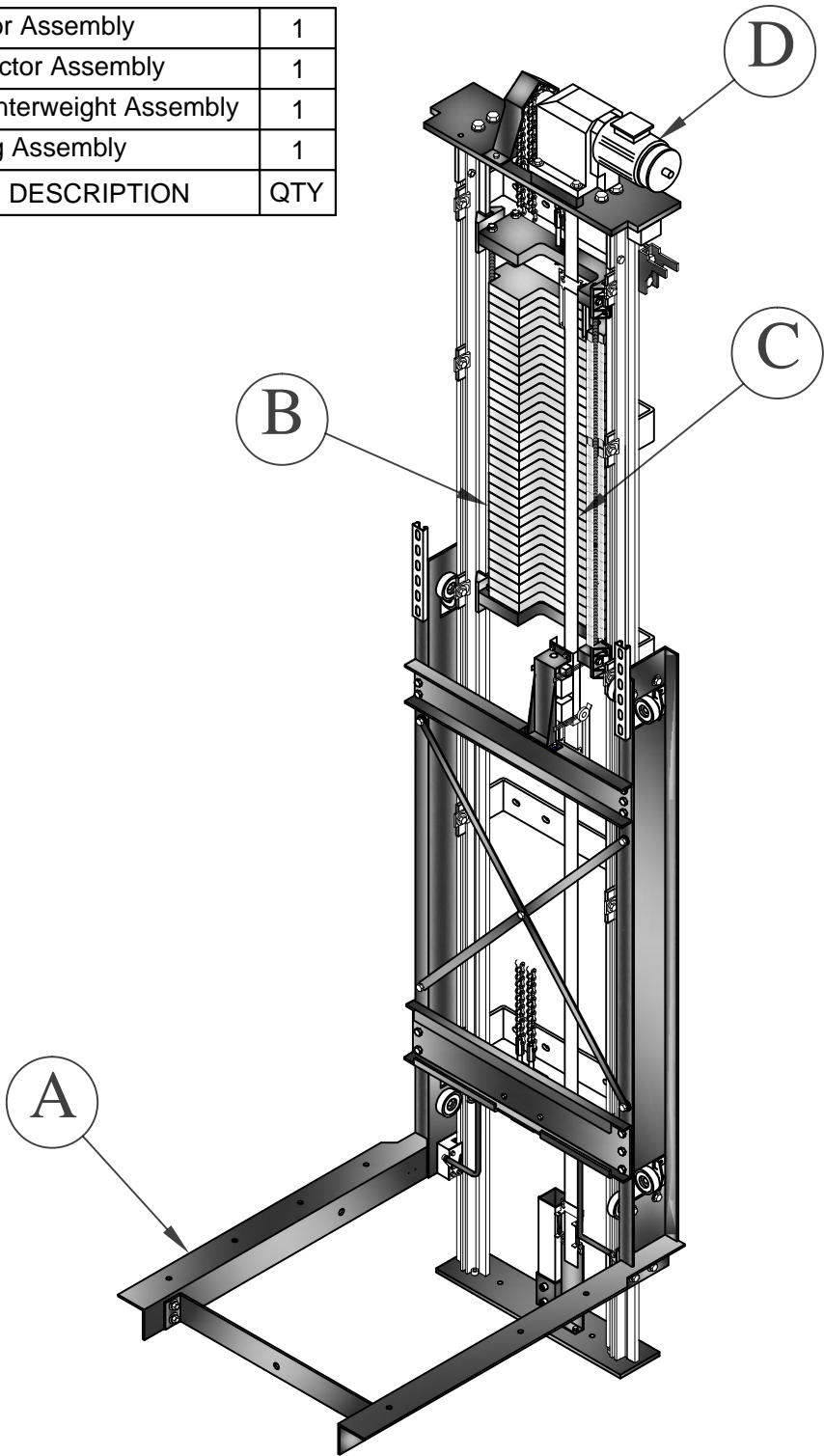
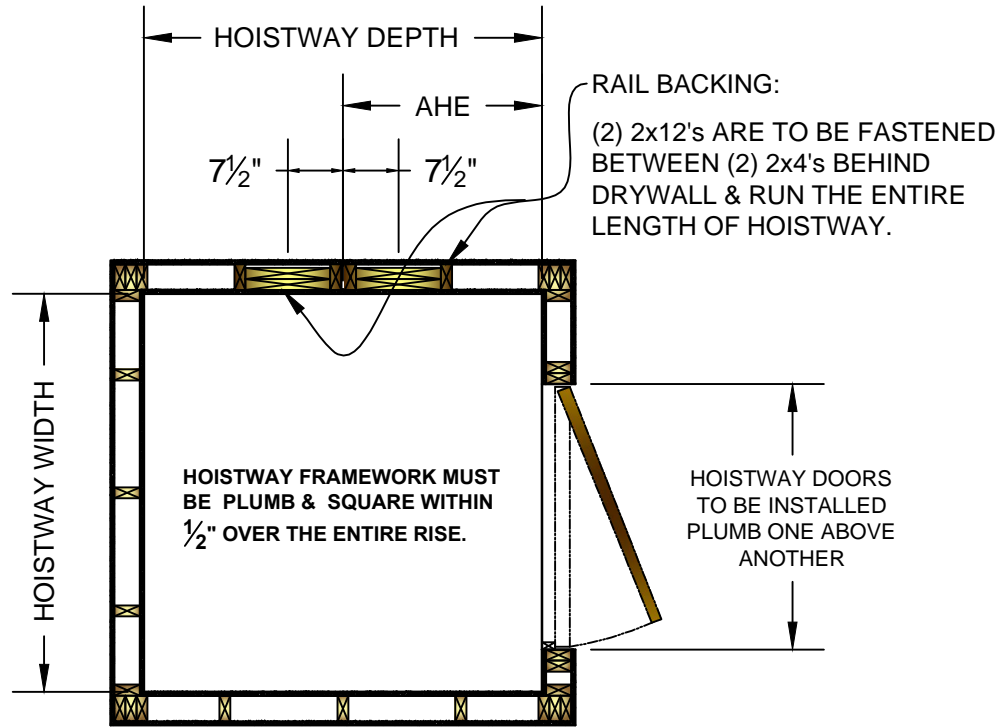


D	Motor Assembly	1
C	Selector Assembly	1
B	Counterweight Assembly	1
A	Sling Assembly	1
PART	DESCRIPTION	QTY



AHE Counterweight Specifications	
Materials	A36, 1018 Steel & 304 stainless Steel
Finish	Black Powder Coat
Cab	950lbs Max Capacity
Counterweight	35 Steel Plates Total @ 625lbs
Chains	(2) #60 @ 9,000Lbs ea.
Motor	1.5HP x 1800RPM 230v
RPM	40 Ft. Per Minute
Rails	(4) T70/B 6.25lb
Controller	Micro Processor



APPROVED BY:		DATE:	
<b>A.H.E. MANUFACTURING INC.</b>			
127 RT 9 SOUTH		BARNEGAT, NJ (800)-488-5905	
PART NUMBER: 1000		MATERIAL: TOP LEVEL ASSEMBLY	
SCALE: 1/24"=1"	DATE: 12/26/14	DRAWN BY: BM	DRAWING NUMBER: A-100
TITLE: Specification Sheet			