


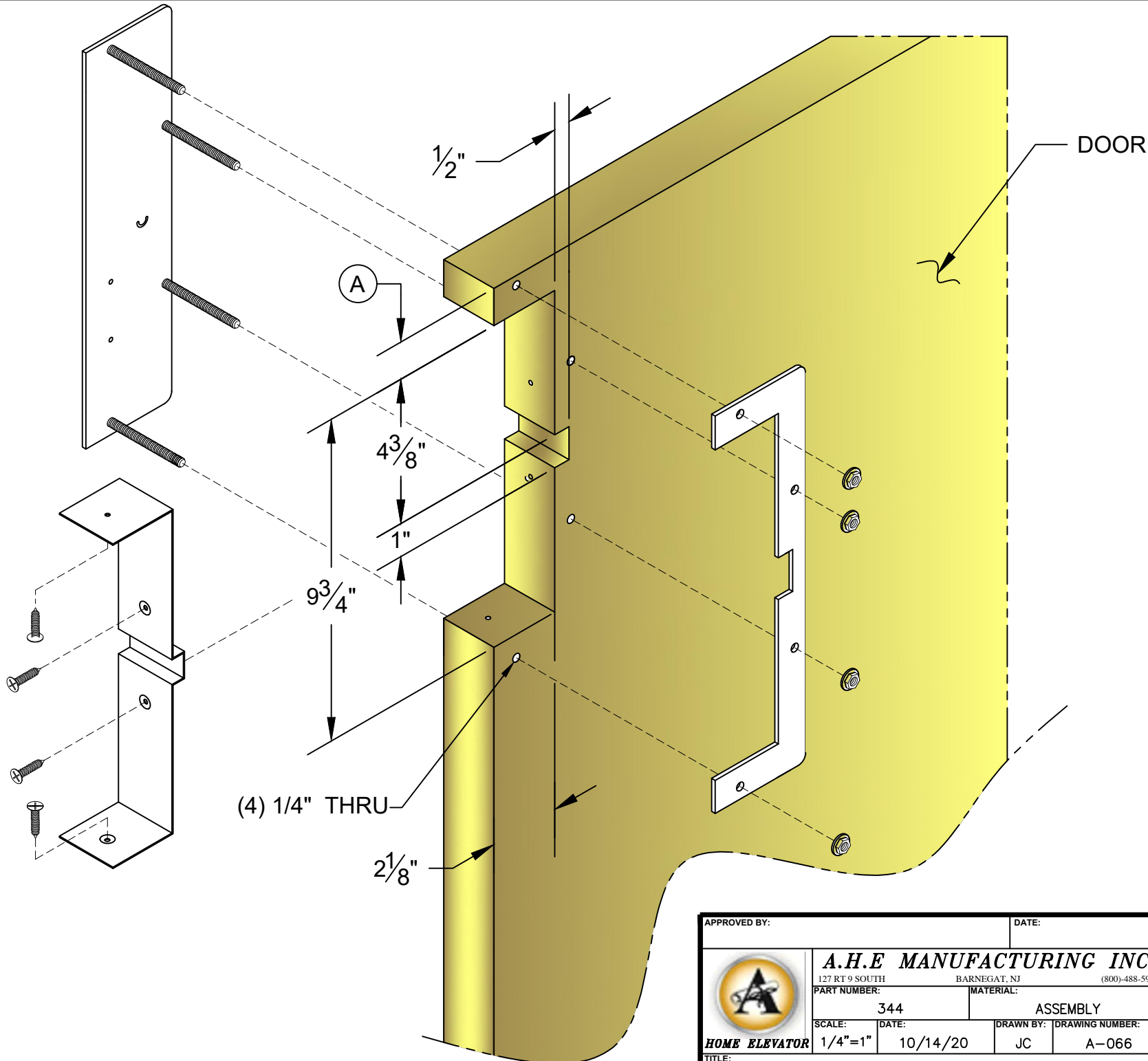
NOTE (BY OTHERS):

- 2 1/4" DOOR JAM WITH 1/2" STOP, SET FLUSH TO THE INSIDE EDGE OF THE HOISTWAY.
- 1 3/4" SOLID CORE DOOR MOUNTED TO DOOR JAM AND INSTALLED PRIOR TO INSTALLATION.
- DOOR KNOB OPTIONS: CONTACT YOUR PROJECT MANAGER FOR DETAILS

TOLERANCE <small>UNLESS OTHERWISE SPECIFIED</small>		APPROVED BY:		DATE:	
FRACTIONAL ± 1/64		 A.H.E. MANUFACTURING INC. 127 RT 9 SOUTH BARNEGAT, NJ (800)-488-5905		ASSEMBLY	
DECIMAL .XXX ±.005				PART NUMBER: -	
.XX ±.010		SCALE: 1/8"=1"		DATE: 1/22/21	
		HOME ELEVATOR		DRAWN BY: JC	
		TITLE: WOOD JAMS & SET BACK KIT		DRAWING NUMBER: DETAIL	

A-066

Door Height	A
80"	1"
84"	5"
96"	17"



APPROVED BY:		DATE:	
A.H.E. MANUFACTURING INC.			
127 RT 9 SOUTH		BARNEGAT, NJ	
(800)-488-5905			
PART NUMBER: 344		MATERIAL:	
SCALE: 1/4"=1"		DATE: 10/14/20	
DRAWN BY: JC		DRAWING NUMBER: A-066	
TITLE: SETBACK-KIT			



HOME ELEVATOR