


**NOTE (BY OTHERS):**

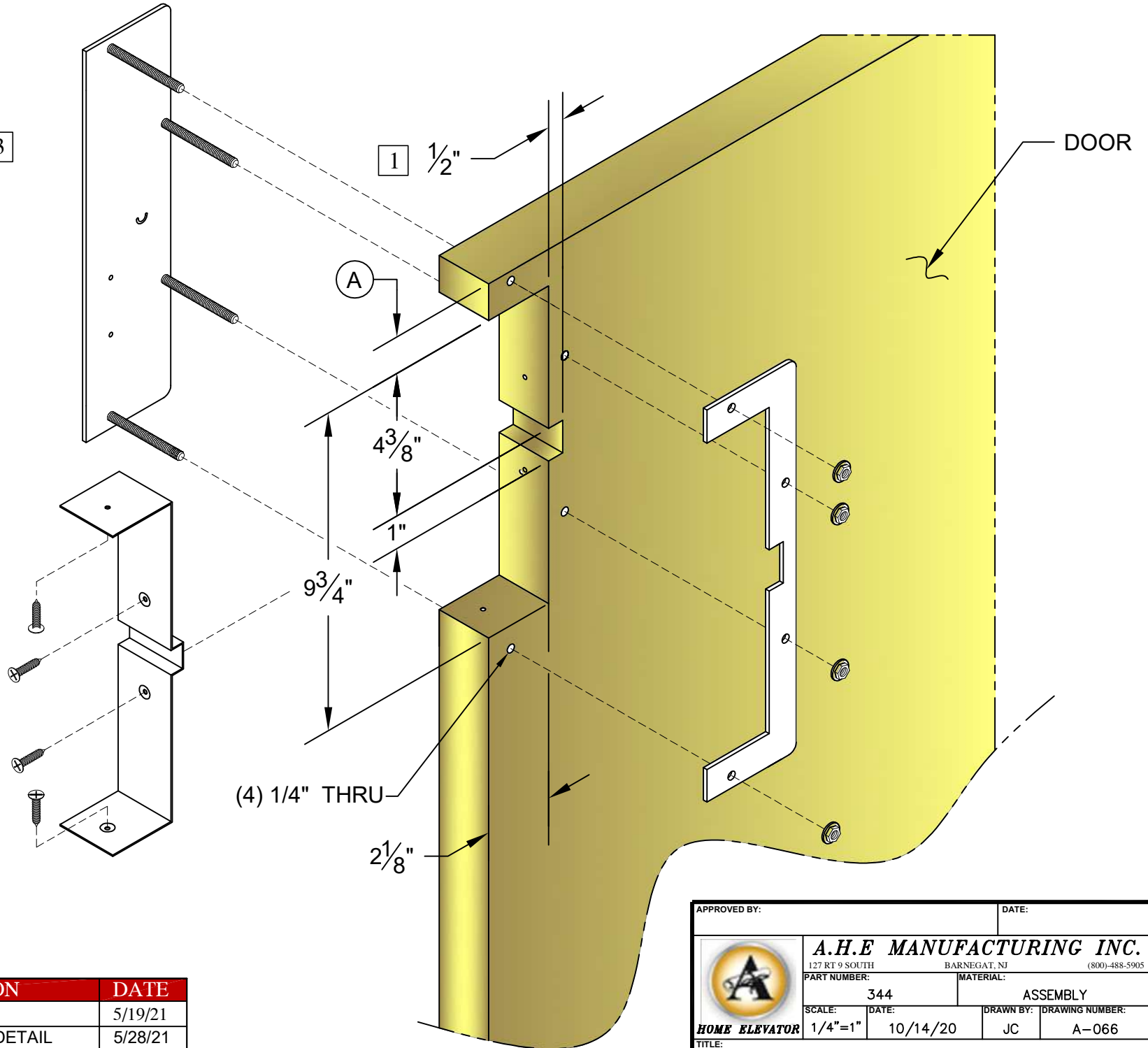
- 2 1/4" DOOR JAM WITH 1/2" STOP, SET FLUSH TO THE INSIDE EDGE OF THE HOISTWAY.
- 1 3/4" SOLID CORE DOOR MOUNTED TO DOOR JAM AND INSTALLED PRIOR TO INSTALLATION.
- DOOR KNOB OPTIONS: CONTACT YOUR PROJECT MANAGER FOR DETAILS

TOLERANCE <small>UNLESS OTHERWISE SPECIFIED</small>		APPROVED BY:		DATE:	
FRACTIONAL ± 1/64		 <b>A.H.E. MANUFACTURING INC.</b> 127 RT 9 SOUTH BARNEGAT, NJ (800)-488-5905		ASSEMBLY	
DECIMAL .XXX ±.005				PART NUMBER: -	
.XX ±.010		SCALE: 1/8"=1"		DATE: 1/22/21	
		HOME ELEVATOR		DRAWN BY: JC	
		TITLE: WOOD JAMS & SET BACK KIT		DRAWING NUMBER: DETAIL	


# A-066

Door Height	A
80"	2"
84"	5"
96"	17"

3



REV	DESCRIPTION	DATE
1	WAS 3/8"	5/19/21
2	REMOVED BALL KEEP DETAIL	5/28/21
3	WAS 1"	7/7/21

APPROVED BY:		DATE:	
 <b>HOME ELEVATOR</b>	<b>A.H.E. MANUFACTURING INC.</b> 127 RT 9 SOUTH BARNEGAT, NJ (800)-488-5905		
	PART NUMBER:	344	MATERIAL:
SCALE:	DATE:	DRAWN BY:	DRAWING NUMBER:
1/4"=1"	10/14/20	JC	A-066
TITLE: SETBACK-KIT			